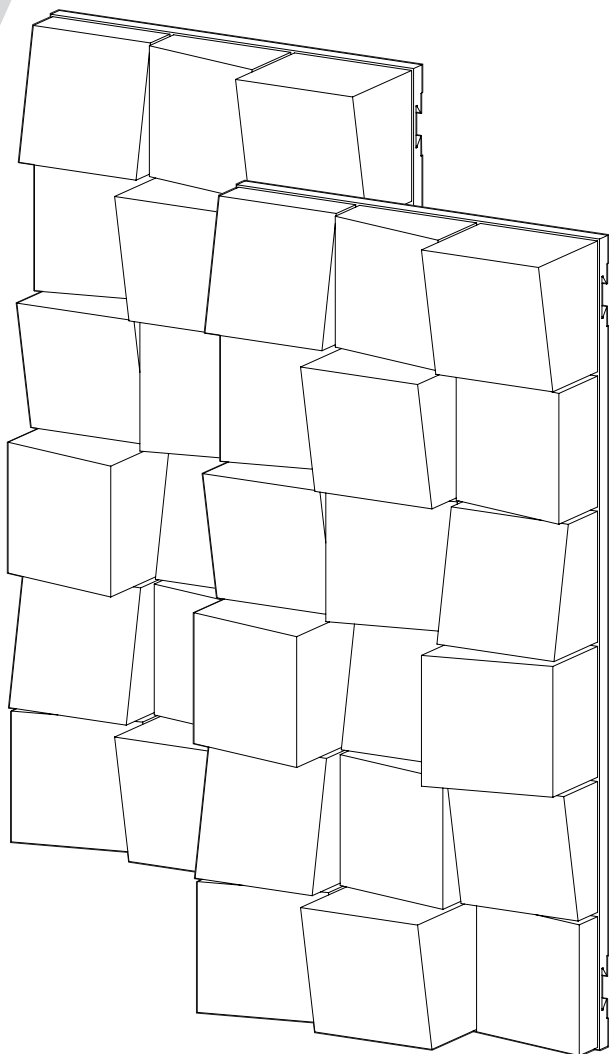


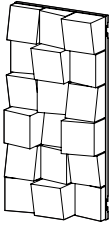
Multifuser Wood 36 MK II

Installation Manual



✓ MATERIAL NEEDED

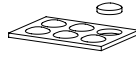
Included



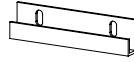
Multifuser 36 x 2



Gauge x1

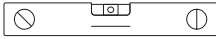


Silicone Drop x4



VicFix J Profile 80mm | 3.14" x 4

Not Included



Level

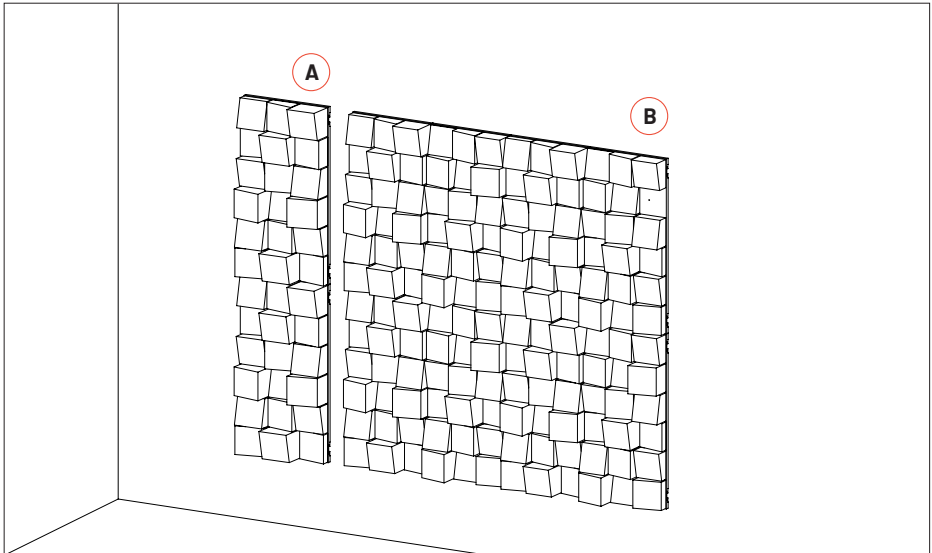


Drill

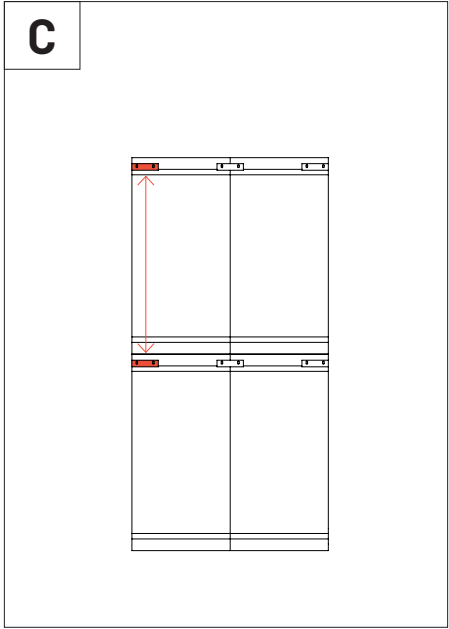
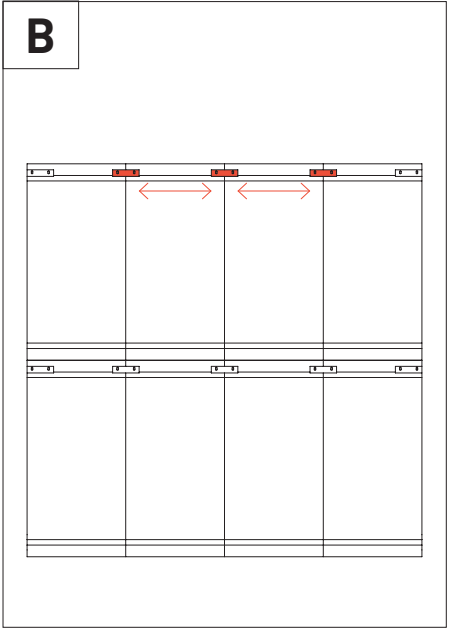
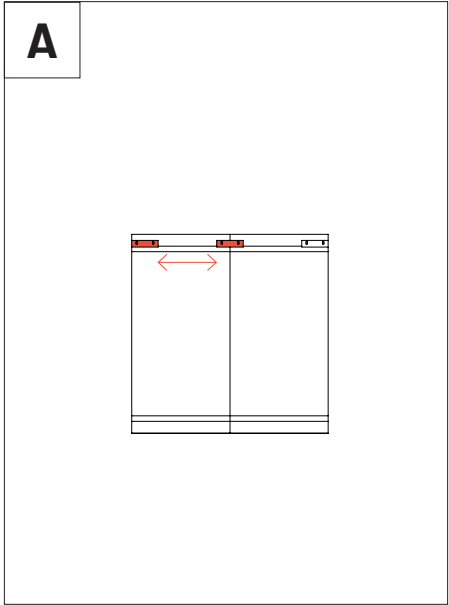
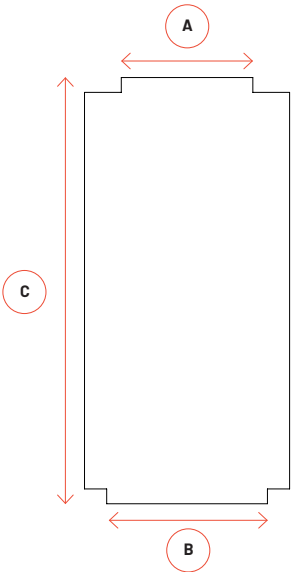


Wall Plugs and Screws x8

Wall Installation

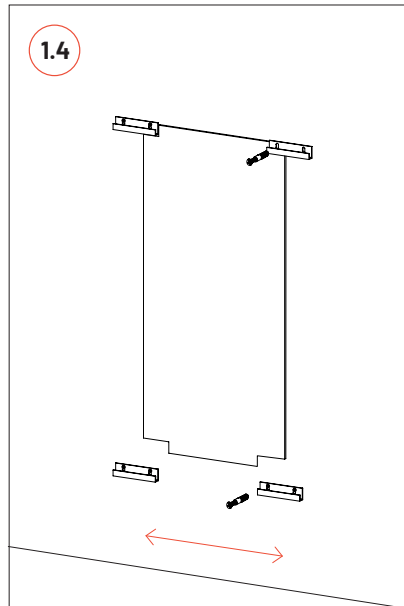
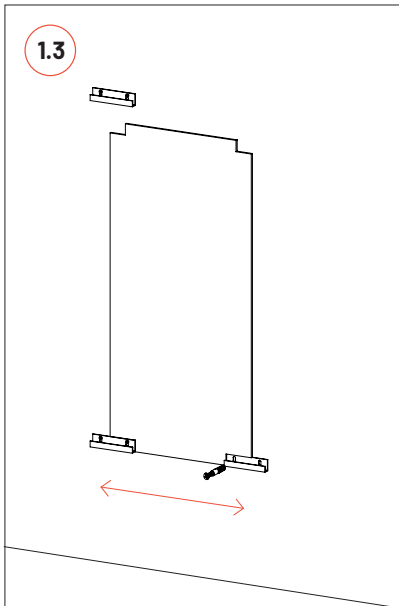
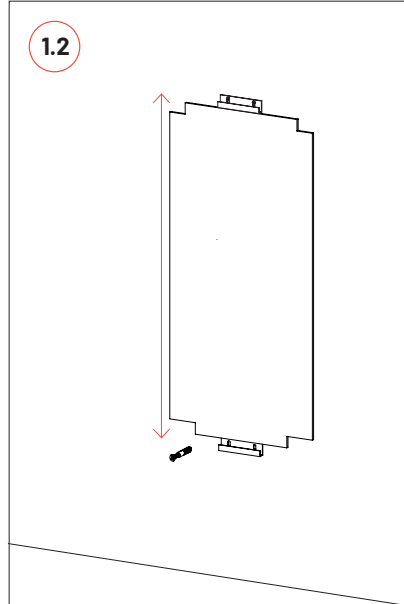
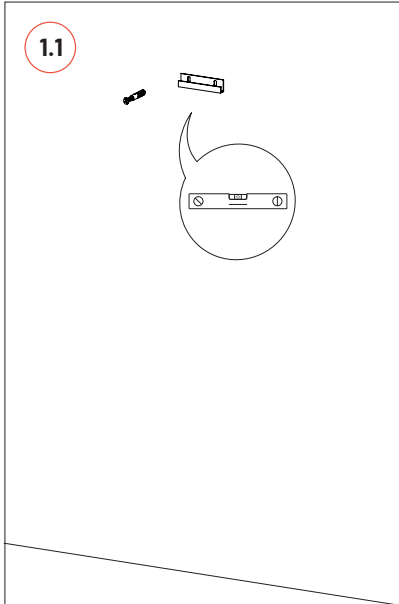


Ways of using the gauge

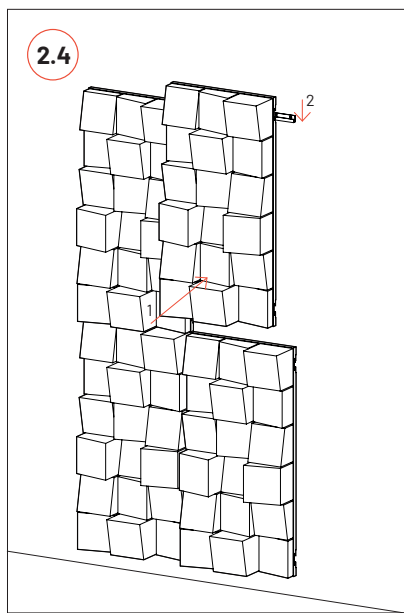
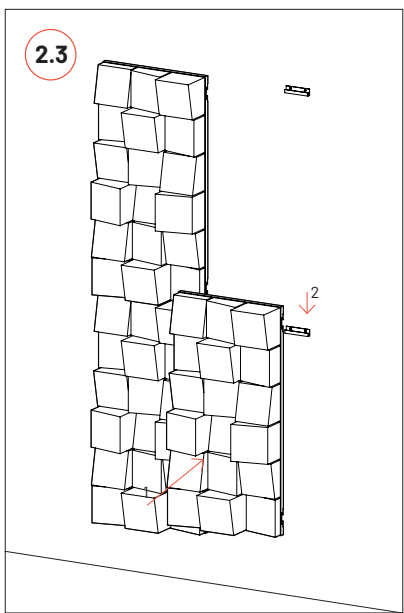
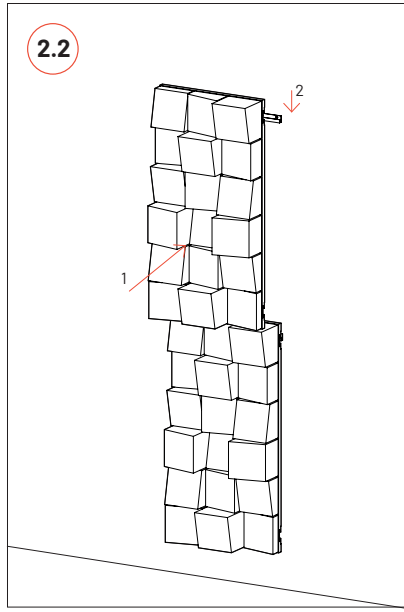
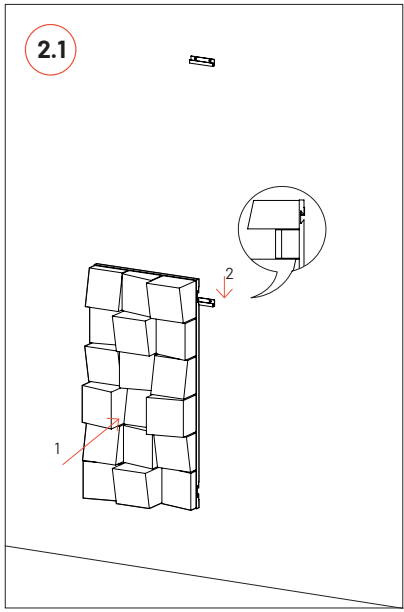


1

Step by step wall installation.



2 Step by step wall installation.





Please note: In countries where earthquakes are likely to happen, it should be applied a blocking element such as a L profile to avoid the last panel to slide off the VicFix J profile. Vicoustic will not take responsibility for any mistakes / limitations occurring during installations or any damages resulting from falling panels.

Main Office, R&D & Logistics

Avenida do Pólo 3, N.º 159, Carvalhosa
4590-137 Paços de Ferreira, Portugal
T (+351) 255 136 746

Office

Rua Quinta do Bom Retiro N.º 16, Armazém 9
2820-690 Charneca da Caparica, Portugal
T (+351) 212 964 100

Info and Sales

E sales@vicoustic.com

www.vicoustic.com



© Vicoustic, 2019 | V1

No parts of this document might be copied and/or published without written consent of Vicoustic.