

Planar Ribbon Super Tweeter Speaker

Description:

The Aperion Audio Super Tweeter is a high-fidelity compliment to any home audio system. Designed to reside on top of your existing speaker, the Super Tweeter can be used from 8kHz to 40kHz. With 5 preset crossover points, the Aperion Audio Super Tweeter provides customizable bright and detailed sound, enhances the width & depth of your stereo sound field and accentuates the ultra-high frequency extension.

Setup:

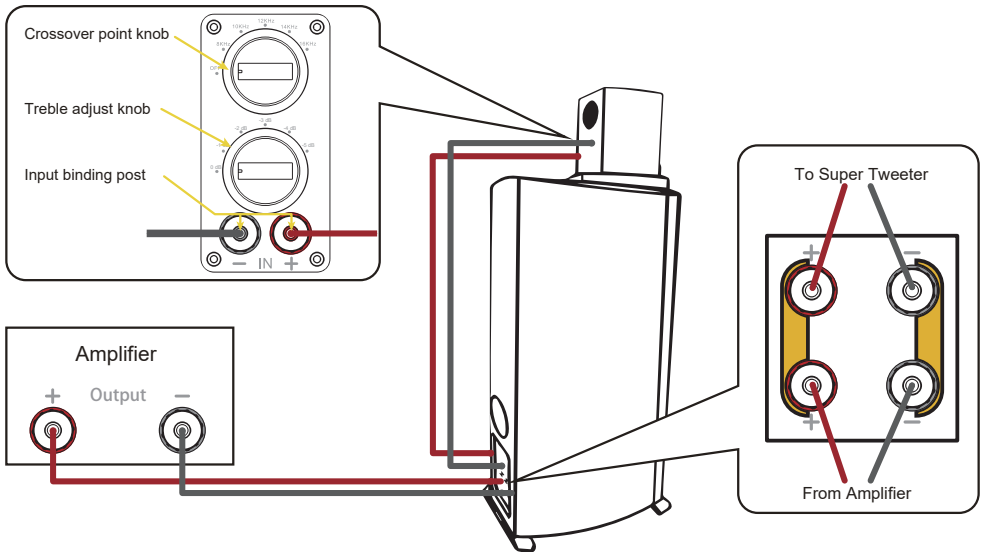
Place the Super Tweeter on top of the speaker you're pairing it with and connect it in parallel to the terminals of that speaker. A little experimentation works best to determine the optimal crossover point and output level by using the adjustment features on the rear panel. This will help the Super Tweeter to perfectly integrate with your speakers.

One of the unique features of our Super Tweeter is the onboard adjustable crossover. There are 5 crossover points: 8kHz, 10kHz, 12kHz, 14kHz, 16kHz and 6 output attenuation options: 0dB, -1dB, -2dB, -3dB, -4dB, -5dB.

The Aperion Audio Super Tweeter can be suitably matched with any speaker whose sensitivity is between 85~94 dB. We recommend initially setting crossover point to 12kHz and adjusting to preference from there. Depending on your speakers, you may want to try the different crossover settings to increase or decrease the Super Tweeter's operating range. The lower the crossover point, the more overlap there will be with your existing tweeter. If you feel the output of the Super Tweeter is too high, use the Treble Adjust Knob to reduce the level.

The chart below can be used to help match the Super Tweeter with your existing speaker's sensitivity:

Treble Adjust Setting Crossover Setting	0 dB	-1 dB	-2 dB	-3 dB	-4 dB	-5 dB
8 kHz	94 dB	93 dB	92 dB	91 dB	90 dB	89 dB
10 kHz	93 dB	92 dB	91 dB	90 dB	89 dB	88 dB
12 kHz	92 dB	91 dB	90 dB	89 dB	88 dB	87 dB
14 kHz	91 dB	90 dB	89 dB	88 dB	87 dB	86 dB
16 kHz	90 dB	89 dB	88 dB	87 dB	86 dB	85 dB



Specification:

Frequency Range:	8kHz-40kHz
Crossover Frequency:	8kHz/10kHz/12kHz/14kHz/16kHz
Impedance:	6 Ohms
Rated Power:	10-100W
Product Dimensions(HWD):	5.27"x4"x5" (134x102x127mm)(Single)
Package Dimensions(LWH):	7"x12"x8"(182x302x206mm) (Pair)
Product Net Weight:	1.65 lbs (0.75kg)/Single
Package Weight:	4.5 lbs (2kg)/Pair

