

# LUXMAN

BELT DRIVE ANALOG PLAYER  
**PD-151** *MARK II*



*Luxman*  
BELT DRIVE ANALOG PLAYER PD-151 *MARK II*

33 45 78 SPEED CONTROL

Machined aluminum

# The charm of timeless vinyl playback deepens thanks to our LUXMAN PD-151 MARK II, A new standard in the pursuit of functional beauty.

The PD-151 was developed for the music listener to fully enjoy the luxurious audio experience unique to analog, with vinyl phonograph records continuing popularity as an attractive music playback medium.

Inheriting that model's excellent performance and functional beauty while featuring a new, highly sensitive original specification tonearm, is our highly anticipated new model.

The PD-151 MARK II has arrived as a new benchmark for belt-drive integrated analog players.

We deliver genuine analog vinyl playback excellence, inviting the listener into a world different from digital audio.



The phono cartridge and analog records are not included.

## LUXMAN 3-step rotation speed switching with independent adjustment functions



The PD-151 MARK II supports three rotation speeds:  $33\frac{1}{3}$ , 45 and 78 rpm. With the whole system prepared independently for each rotation speed, it is possible to make fine and accurate adjustments while observing the rotation speed deviation indicator (LED)\*.

\*Rotation speed deviation indicator: Normal (lit solid green), slow (blinking green), fast (blinking blue) at all times.

## Internal damping material



In order to accurately detect and reproduce an extremely low-level analog audio signal and deliver the output to an amplifier without deterioration, it is necessary to thoroughly suppress unwanted vibrations. Inside the PD-151 MARK II the drive motor and power transformer, which are often sources of such vibrations, are mounted with special damping rubber to prevent interference with high quality audio signals.

## Unique underslung structure



The PD-151 MARK II has succeeded in achieving both rigidity and vibration damping by attaching heavy components to the underside of the 10mm thick aluminum top panel using our original damped underslung hanging method. We have adopted a framework structure that controls small vibrations within a box-shaped chassis on the underside, the crosspiece being the top panel.

## New tonearm with knife edge bearing

The PD-151 MARK II has been newly equipped with LUXMAN's original static balance type tone arm, the LTA-309, featuring knife edge bearing technology developed by the Japanese brand SAEC, with over 40 years of experience. The arm base is machined aluminum, which minimizes the contact area, mounted to suppress unwanted vibration while ensuring rigidity. In addition to basic adjustment mechanisms, such as stylus pressure and anti-skating, LTA-309 also supports fine settings to optimize playback quality, such as arm height adjustment, according to the mounted cartridge. This S-shaped tonearm employs an H4 bayonet mount headshell, allowing easy install of phono cartridges, such as the LUXMAN LMC-5.

\*SAEC is a brand of SAEC COMMERCE CO., LTD

## New High precision/ High torque proprietary DC motor

The purity of musical pitch depends entirely on the stability of platter rotation. That's why LUXMAN engineers went to extraordinary lengths. We start with our unique sine wave/Pulse Width Modulation power supply, which provides ultra-stable direct current to our proprietary DC brushless motor. Years in development, this low-speed high-torque motor incorporates low-acoustic noise bearings and internal construction. The drive system monitors and maintains speed with our Proportional-Integral-Differential (PID) feedback control loop. Proportional means quick achievement of target speed. Integral means fast correction of minor errors. And differential means control over rapid fluctuations. For added precision, the motor drives the outside flange of the platter through an uncommonly wide belt for stable 33 1/3, 45 and 78RPM playback speeds with +/-6% manual pitch control adjustment available.



## High-Mass platter and highly rigid stainless-steel spindle

LUXMAN engineers were determined to optimize the final guarantor of stable speed; the platter assembly itself. PD-151 MARK II has a 4.0kg platter precision machined from a thick aluminum billet then diamond-cut finished to exact surfaces. The platter acts as a flywheel, with a large moment of inertia (0.219t-cm<sup>2</sup>) to insure smooth and stable rotation. The spindle supporting the platter is a highly rigid, 16mm diameter, hard stainless-steel shaft with bearings at the lower end. It comfortably supports the platter weight with a bearing structure that combines a thrust bearing lubricated with PEEK\* material, with excellent heat and wear resistance, and a brass radial bearing filled with organic molybdenum oil that maintains excellent lubricity under high load. A turntable mat of special vibration-absorbing rubber material is included to support vinyl records during playback.

\*PEEK is an abbreviation for polyetheretherketone

## LUXMAN exterior design pursuing functional beauty

PD-151 MARK II inherits the highly praised LUXMAN exterior design and operational layout of our previous model PD-151. The top panel, made from 10mm thick aluminum with its delicate hairline finish, pursues simplicity and functional beauty with a component layout narrowed down to only the three major analog player elements; the tone arm, drive motor and platter. The operational controls, such as power switch, motor (rotation) ON/OFF switch, rotation speed changeover switch, indicators, etc. are all integrated into PD-151 MARK II front panel. While achieving both highly intuitive operability and visibility, the exquisite aluminum top panel combines with the matte black lower housing to create profound visual contrast. Sold separately is an available and highly recommended, purpose built 4mm thick acrylic dust cover, equipped with cam/spring supporting hinges for easy opening and smooth closure.



### Height adjustable damping insulators



The insulator feet that support the entire structure are vital to an analog player while tracking the minute grooves pressed into a phonograph record. The PD-151 MARK II incorporates vibration damping rubber with excellent temperature characteristics into our originally designed insulator feet, with up to 5mm independent height adjustment, which prevent feedback and external vibration transmission.

### Headshell and phono signal cables



A lightweight, original machined aluminum headshell with the LUXMAN logo and an aluminum EP adapter are included as standard. To accept the phono cartridge output, we have adopted audio grade OFC wiring into the high quality, highly versatile DIN-RCA phono cables. Future upgrades are also possible.

### AC inlet and power cable



The AC inlet's structure has been improved to support the weight of heavy power cables by reversing the mounting, suppressing any movement of the power cable while maintaining a stable grip.

# PD-151 MARK II BELT DRIVE ANALOG PLAYER

## SPECIFICATIONS

### Turntable Platter

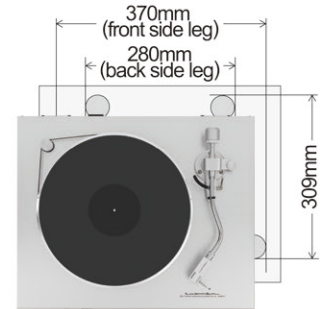
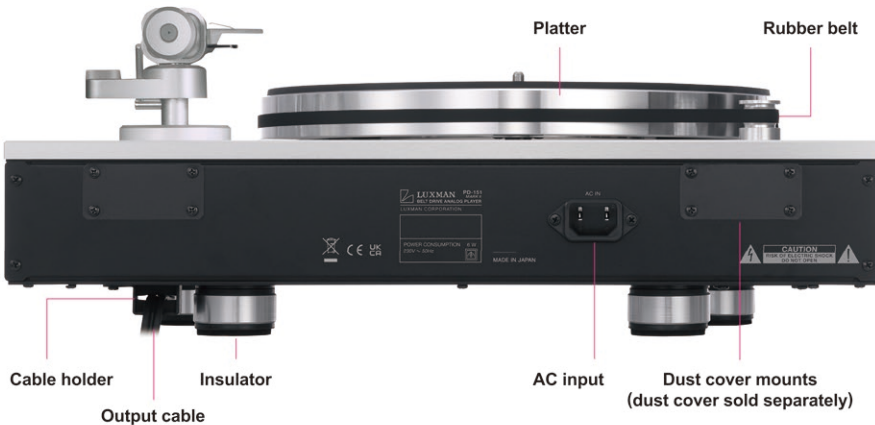
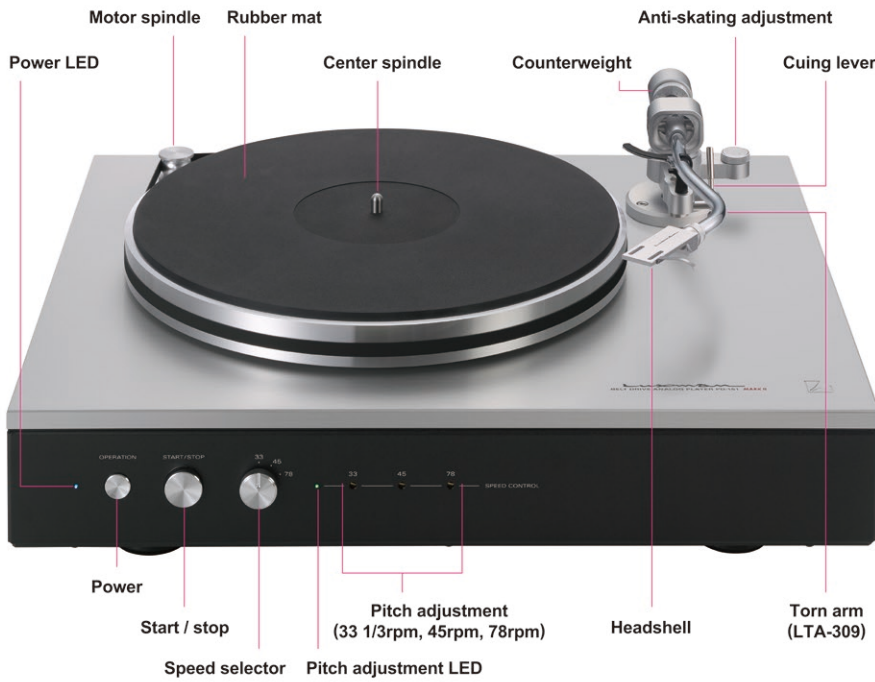
Drive system	Belt drive system
Motor	Brushless DC motor with PID control
Material	Machined aluminum, Surface finish: Diamond cut
Revolution	33 1/3rpm, 45rpm, 78rpm (3 speeds selectable)
Revolution adjustment range	±6% (each rotation speed adjustable independently)
Wow and flutter	0.04% or less (W.R.M.S.)
Weight	4.0kg (Platter)

### Tone arm section

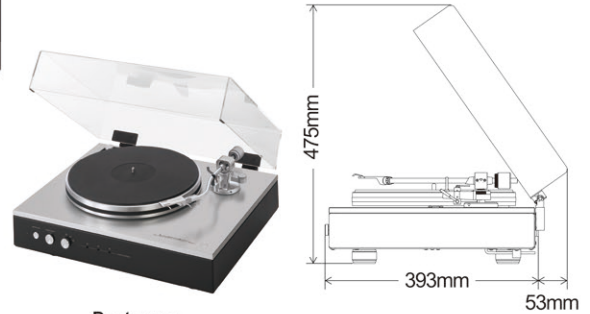
Type	Static balanced, S shaped, universal type
Bearing	Concealed knife edge
Effective length	222.5mm
Overhang	18mm
Tracking error angle	±3° or less
Applicable cartridge weight	4 to 10g (including headshell 17 to 23g)
Adjustable height range	15mm
Anti-skating	0 to 4g

### Main unit

Power source	230V~50Hz / 115V~60Hz
Power consumption	6W
Dimensions	465(W) × 133(to the upper surface of the platter) (H) × 393(D) mm
Net weight	15.8kg (main unit), 17.2kg (with dust cover)
Accessories	Platter, Headshell, Rubber mat Rubber belt, Platter mount handle (2 pieces) EP adaptor, Counterweight Arm adjustment hex wrench set (2 types) Flathead screwdriver for rotation speed adjustment phono cable (DIN→RCA : already installed in the unit), Power cable



Insulator position / dimensions



Dust cover (sold separately)

Dimensions with dust cover open

Accessories (available as service parts)



**Dust cover OPPD-DSC151**  
Specific to the PD-151 MARK II,  
4mm thick acrylic, cam support hinges



**Heavy counterbalance weight OPPD-HW2**  
For cartridges of 9 to 19g  
(22 to 32g including headshell)



**Headshell OPPD-SH2**  
Machined aluminum, 13g  
(including OFC wires)



**Rubber drive belt**

# LUXMAN

LUXMAN CORPORATION, 1-3-1 Shinyokohama, Kouhoku-ku, Yokohama-shi, Kanagawa 222-0033, Japan  
Tel: +81-45-470-6980 Fax: +81-45-470-6997 www.luxman.com  
LUXMAN reserves the right to alter the design and specifications without notice.  
All rights reserved LUXMAN CORPORATION



## Safety Cautions

To ensure correct use of this product, read the "Owner's Manual" prior to use. Failure to follow all safeguards can result in fire, electric shock, or other accidents.

